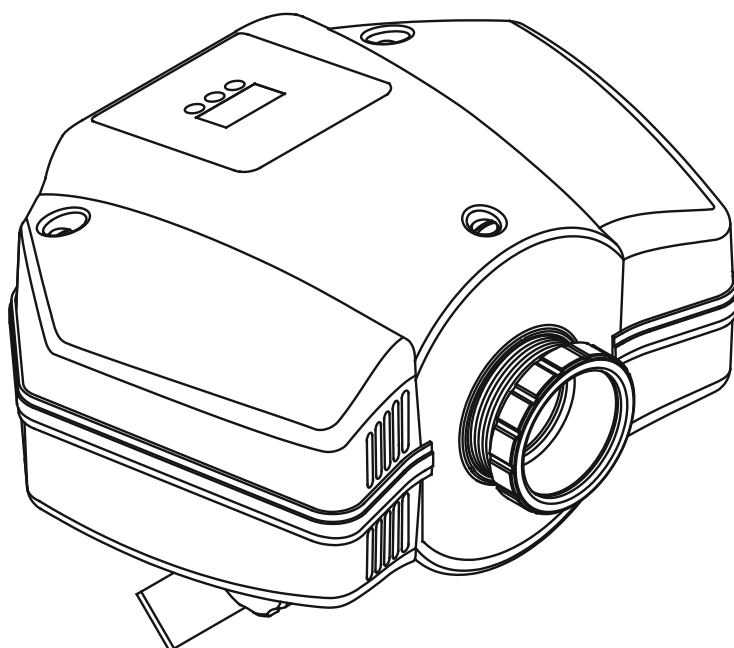




# EUPHORIA



**ROBE**

**USER MANUAL**

Version 1.0

# Euphoria

## Table of contents

<b>1. Safety instructions</b> .....	<b>3</b>
<b>2. Operating determinations</b> .....	<b>4</b>
<b>3. Description of the device</b> .....	<b>5</b>
<b>4. Installation</b> .....	<b>6</b>
4.1 Fitting/Exchanging the lamp .....	6
4.3 Rigging the fixture .....	7
4.2 Changing the power supply setting .....	7
4.4 Connection to the mains .....	8
4.5 DMX-512 connection and Master/Slave connection .....	9
<b>5. Euphoria - DMX protocol, version 1.0</b> .....	<b>10</b>
<b>6. Controller mode</b> .....	<b>11</b>
6.1 DMX addressing.....	11
7. Euphoria - Control menu map .....	12
<b>8. Functions of the control panel</b> .....	<b>13</b>
8.1 Fixture Address .....	13
8.2 Microphone sensitivity .....	13
8.3 Lamp On/Off .....	13
8.4 Lamp presetting .....	13
8.5 Demo-test sequences .....	14
8.6 Stand-alone setting .....	14
8.7 Reset fixture .....	14
8.8 Special functions .....	14
<b>9. Stand - alone mode</b> .....	<b>16</b>
<b>10. Error and information messages</b> .....	<b>17</b>
<b>11. Technical specifications</b> .....	<b>17</b>
<b>12. Maintenance and cleaning</b> .....	<b>18</b>

**CAUTION!**  
***Keep this device away from rain and moisture!***  
***Unplug mains lead before opening the housing!***

**FOR YOUR OWN SAFETY, PLEASE READ THIS USER MANUAL CAREFULLY  
BEFORE YOU INITIAL START - UP!**

## **1. Safety instructions**

Every person involved with installation and maintenance of this device have to:

- be qualified
- follow the instructions of this manual

**CAUTION!**  
***Be careful with your operations. With a high voltage you can suffer  
a dangerous electric shock when touching the wires!***

This device has left our premises in absolutely perfect condition. In order to maintain this condition and to ensure a safe operation, it is absolutely necessary for the user to follow the safety instructions and warning notes written in this manual.

### **Important:**

The manufacturer will not accept liability for any resulting damages caused by the non-observance of this manual or any unauthorized modification to the device.

Please consider that damages caused by manual modifications to the device are not subject to warranty.

Never let the power-cord come into contact with other cables! Handle the power-cord and all connections with the mains with particular caution!

Always plug in the power plug least. The power-plug has to be accessible after installing the device.

Make sure that the power-cord is never crimped or damaged by sharp edges. Check the device and the power cord from time to time.

Always disconnect from the mains, when the device is not in use or before cleaning it. Only handle the power-cord by the plug. Never pull out the plug by tugging the power cord.

This device falls under protection class I. Therefore it is essential to connect the yellow/green conductor to the earth.

The electric connection, repairs and servicing must be carried out by a qualified employee.  
Do not connect this device to a dimmer pack.

Do not switch the fixture on and off in short intervals as this would reduce the lamp's life.

During the initial start-up some smoke or smell may arise. This is a normal process and does not necessarily mean that the device is defective.

Do not touch the device's housing bare hands during its operation (housing becomes hot)!  
For replacement use lamps and fuses of same type and rating only.

**CAUTION ! EYEDAMAGES !**  
***Avoid looking directly into the light source  
(meant especially for epileptics)***

## 2. Operating determinations

This device was designed for indoor use only.

If the device has been exposed to drastic temperature fluctuation (e.g. after transportation), do not switch it on immediately. The arising condensation water might damage your device. Leave the device switched off until it has reached room temperature.

When taking the device into operation, please make sure that the housing is closed firmly with all the necessary screws tightened up.

Never run the device without lamp!

Do not shake the device. Avoid brute force when installing or operating the device.

When choosing the installation spot, please make sure that the device is not exposed to extreme heat, moisture or dust. There should not be any cables lying around. You endanger your own and the safety of others!

The minimum distance between light-output and the illuminated surface must be more than 0.6 meters.

Make sure that the area below the installation place is blocked when rigging, derigging or servicing the fixture.

Always fix the fixture with an appropriate safety-rope. Fix the safety-rope at the correct holes only.

Only operate the fixture after having checked that the housing is firmly closed and all screws are tightly fastened.

The lamp must never be ignited if the objective-lens or any housing-cover is open.

The maximum ambient temperature 40° C must never be exceeded.

**CAUTION!**  
***The lens has to be replaced when it is obviously damaged, so that its function is impaired, e. g. due to cracks or deep scratches!***

Operate the device only after having familiarized with its functions. Do not permit operation by persons not qualified for operating the device. Most damages are the result of unprofessional operation!

**CAUTION!**  
***The lamp has to be replaced when it is damaged or deformed due to the heat!***

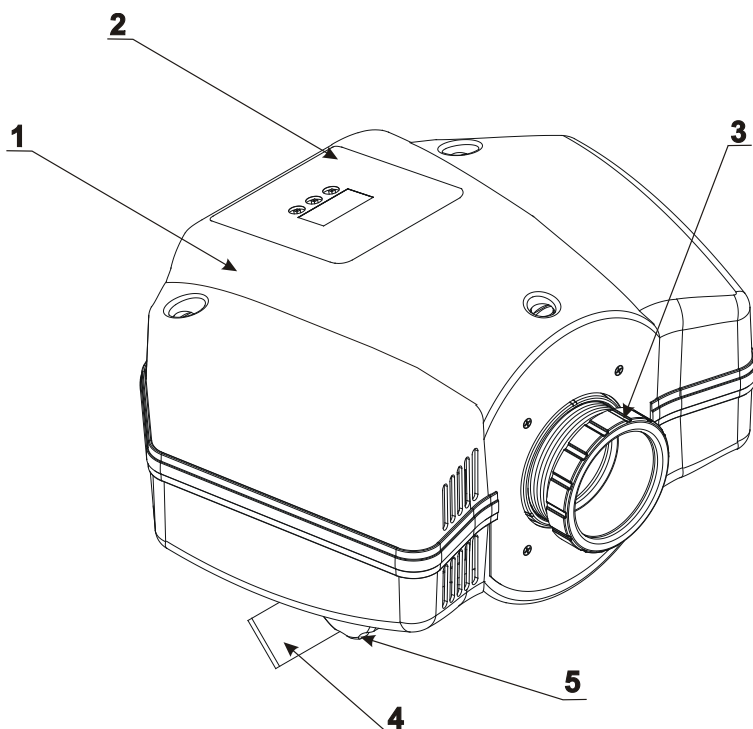
Wait at least 15 minutes before removing the lamp.

Please use the original packaging if the device is to be transported.

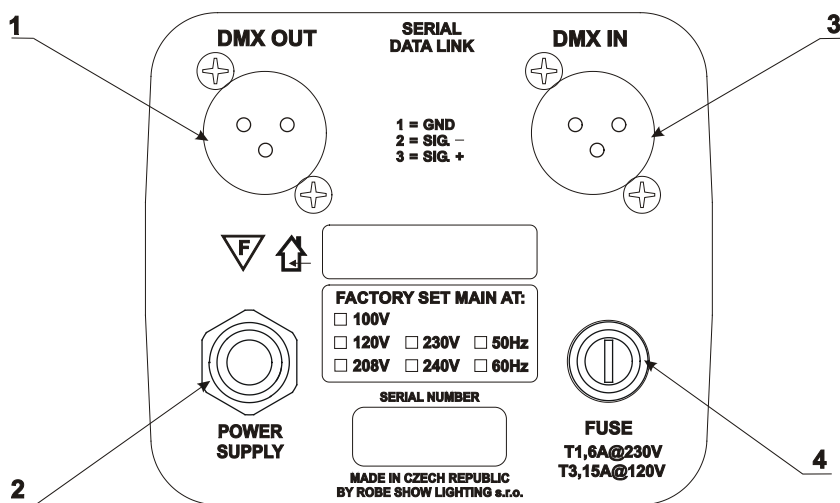
Please consider that unauthorized modifications on the device are forbidden due to safety reasons!

If this device will be operated in any way different to the one described in this manual, the product may suffer damages and the guarantee becomes void. Furthermore, any other operation may lead to dangers like short-circuit, burns, electric shock, lamp explosion, crash etc.

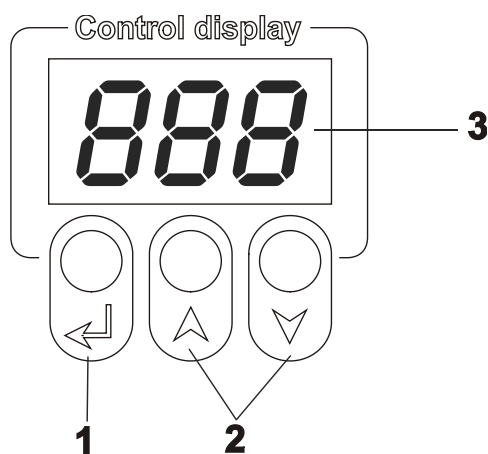
### 3. Description of the device



- 1 - Top cover
- 2 - Control board
- 3 - Objective
- 4 - Mounting bracket
- 5 - Adjusting screw



- Rear panel:**
- 1 - DMX output
  - 2 - Powercord
  - 3 - DMX input
  - 4 - Fuseholder



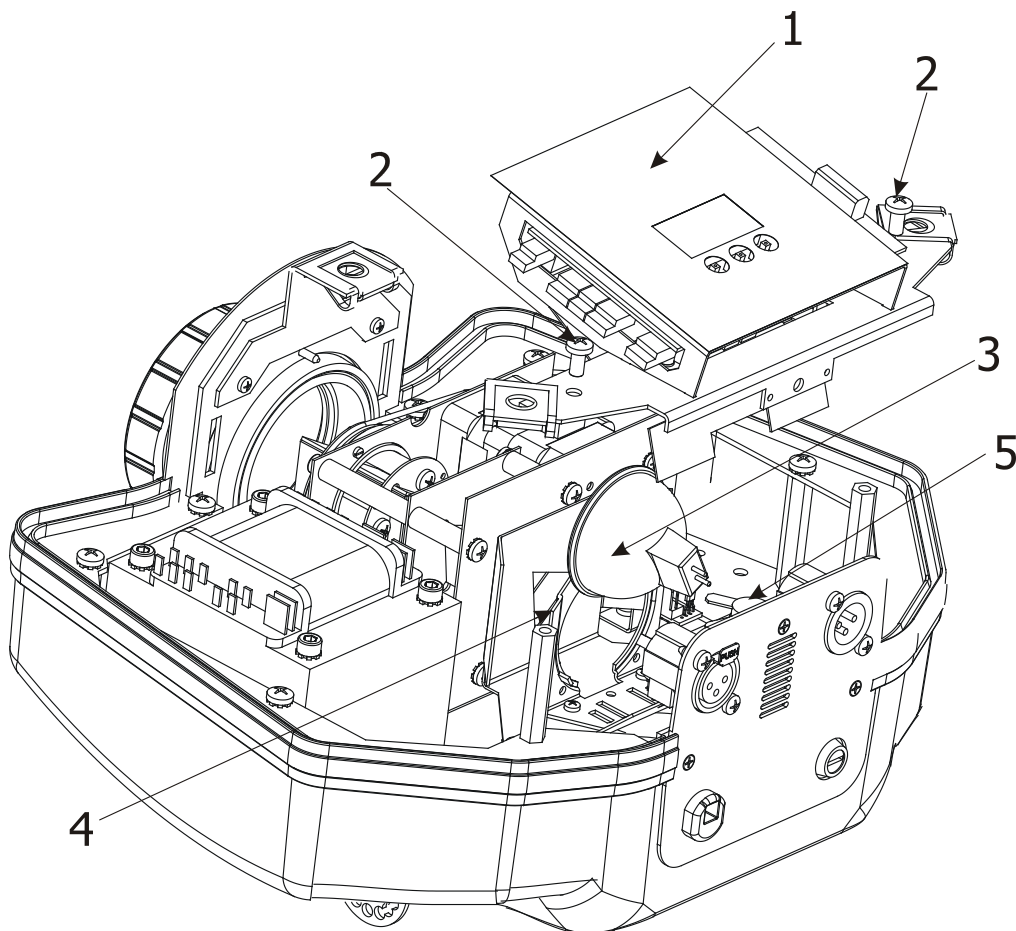
- Control board:**
- 1 - Enter button
  - 2 - Up,Down buttons
  - 3 - Display

## 4. Installation

### 4.1 Fitting/Exchanging the lamp

**DANGER !**  
**Install the lamps with the device switched off only.**  
**Unplug from mains before !**

1. Disconnect the fixture from mains and allow the fixture to cool at least 15 minutes.
2. To insert the lamp remove the top cover by loosening the 3 quarter-turn fasteners on the top cover.
3. Caution remove the display module (1) by loosening two fastening screws (2).
4. Grasp the lamp by the reflector (3) and pull it out of the lamp holder (4).
5. Pull the socket (5) off the lamp.
6. Push socket (5) fully onto the pins of the new lamp.
7. Place the lamp (3) into the lamp holder (4).
8. Place the display module (1) back and tighten the two screws (2).
9. Replace the fixture cover and tighten the 3 quarter-turn fasteners.



**Do not operate this fixture with opened housing-cover!**

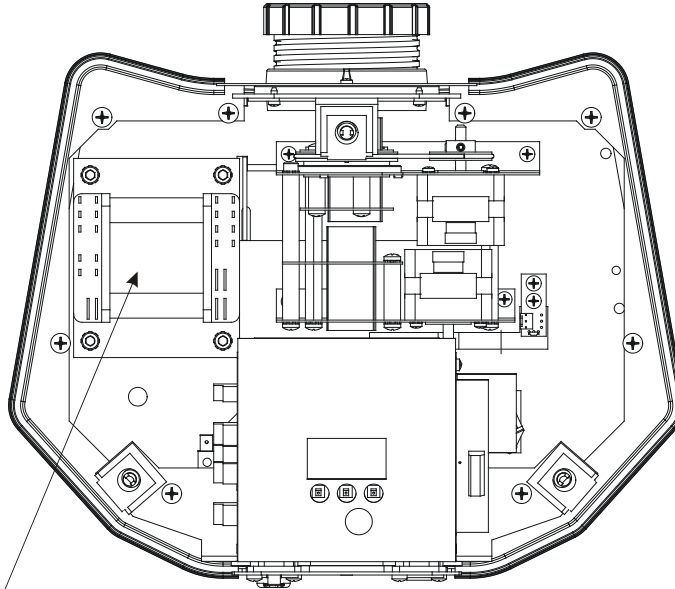
## 4.2 Changing the power supply setting

The transformer must be connected correctly for the local AC voltage and frequency.

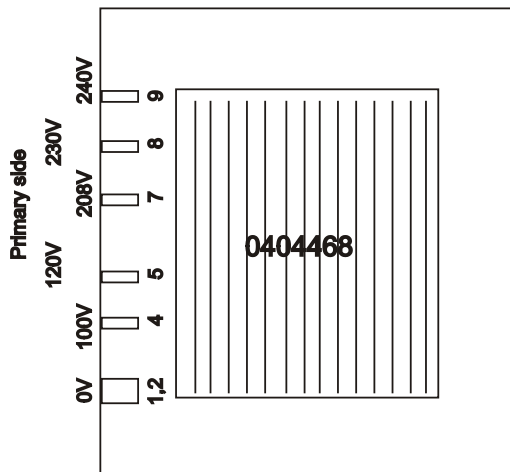
The wrong setting can cause poor performance or damage of the fixture. The factory settings are printed on the rear panel of the fixture.

**If you want to change the power supply setting, follow the instructions:**

1. Disconnect the fixture from AC power.
2. Remove the top cover by loosening the 3 quarter-turn fasteners on the top cover.
3. Move the wire on the transformer primary connection block to the position according to the desired voltage.
5. Put the top cover back before applying AC power.



**Transformer :**



## 4.3 Rigging the fixture

The installation of the projector has to be built and constructed in a way that it can hold 10 times the weight for 1 hour without any harming deformation.

The installation must always be secured with a secondary safety attachment, e.g. an appropriate catch net. This secondary safety attachment must be constructed in a way that no part of the installation can fall down if the main attachment fails.

When rigging, derigging or servicing the fixture staying in the area below the installation place, on bridges,

under high working places and other endangered areas is forbidden.  
 The operator has to make sure that safety-relating and machine-technical installations are approved by an expert before taking into operation for the first time and after changes before taking into operation another time.  
 The operator has to make sure that safety-relating and machine-technical installations are approved by an expert after every four year in the course of an acceptance test.  
 The operator has to make sure that safety-relating and machine-technical installations are approved by a skilled person once a year.  
 The projector should be installed outside areas where persons may walk by or be seated.  
 Important! Overhead rigging requires extensive experience, including calculating working load limits, installation material being used, and periodic safety inspection of all installation material and the projector. If you lack these qualifications, do not attempt the installation yourself, but instead use a professional structural rigger. Improper installation can result in bodily injury and/or damage to property.  
 The projector has to be installed out of the reach of people.  
 If the projector shall be lowered from the ceiling or high joists, professional trussing systems have to be used. The projector must never be fixed swinging freely in the room.  
**Caution:** Projectors may cause severe injuries when crashing down! If you have doubts concerning the safety of a possible installation, do not install the projector!  
 Before rigging make sure that the installation area can hold a minimum point load of 10 times the projector's weight.

***Danger of fire !  
 When installing the device, make sure there is no highly-inflammable material (decoration articles, etc.) within a distance of min. 0.4 m.***


Mount the projector with the mounting-bracket to your trussing system using an appropriate clamp. The hole in the mounting bracket has a diameter of 10 mm.  
 For overhead use, always install a safety-rope that can hold at least 10 times the weight of the fixture. You must use safety-ropes with screw-on carabines. Pull the safety-rope through the mounting bracket and over the trussing system etc. Insert the end in the carabine and tighten the fixation screws.  
 Adjust the desired inclination-angle via the mounting bracket and fix the bracket adjusting screws tightly.  
 Connect the fixture to the mains with the power plug.

**4.4 Connection to the mains**

**Verify the power supply settings before applying power!**

Connect the fixture to the mains with the enclosed power plug. If you need to install other power plug on the power cable, follow the identification table below.  
 The earth has to be connected!

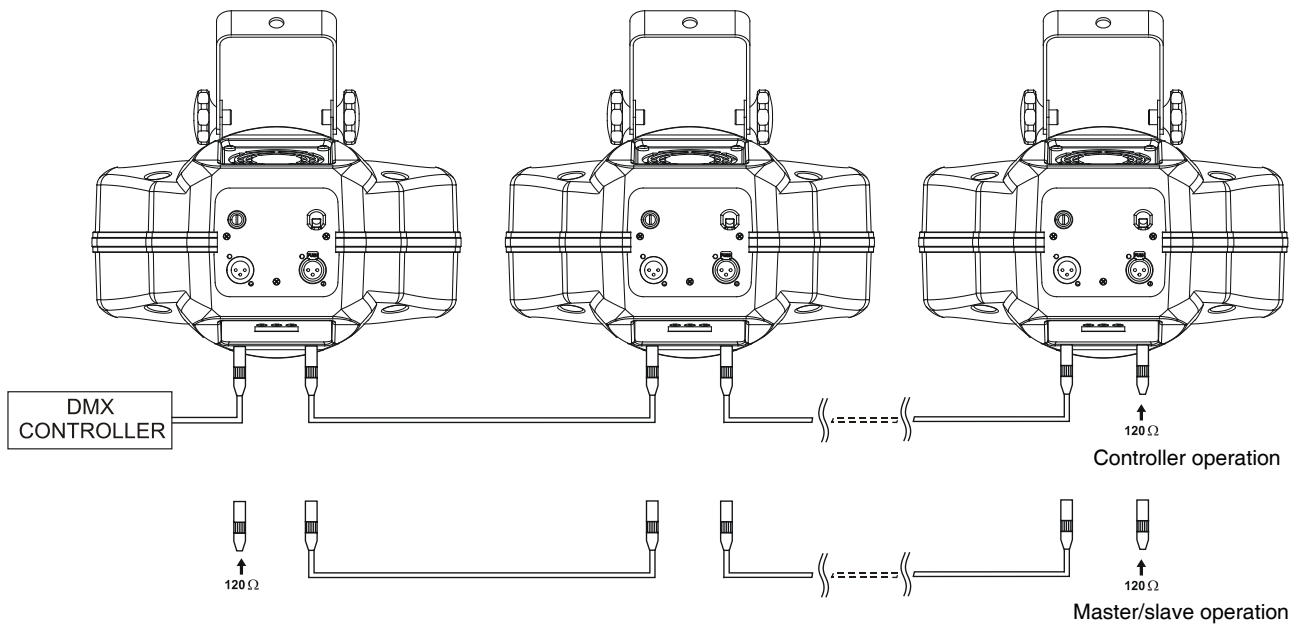
**The occupation of the connection cables is as follows:**

Cable (EU)	Cable (US)	Pin	International
Brown	Black	Live	L
Light blue	White	Neutral	N
Yellow/Green	Green	Earth	

***DANGER TO LIFE!  
 Before taking into operation for the first time,  
 the installation has to be approved by an expert!***



## 4.5 DMX-512 connection and Master/Slave connection

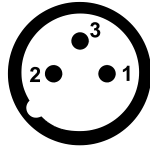


The fixture is equipped with 3-pin XLR sockets for DMX input and output. Only use a shielded twisted-pair cable designed for RS-485 and 3-pin XLR-plugs and connectors in order to connect the controller with the fixture or one fixture with another.

### Occupation of the XLR-connection:

#### DMX - output

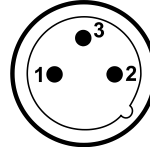
##### XLR mounting-socket:



- 1 - Ground
- 2 - Signal (-)
- 3 - Signal (+)

#### DMX-input

##### XLR mounting-plug:



- 1 - Ground
- 2 - Signal (-)
- 3 - Signal (+)

If you are using standard controllers, you can connect the DMX-output of the controller directly with the DMX-input of the first fixture in the DMX-chain. If you wish to connect DMX controllers with other XLR-outputs, you need to use adapter cables.

### Building a serial DMX-chain:

Connect the DMX-output of the first fixture in the DMX-chain with the DMX-input of the next fixture. Always connect one output with the input of the next fixture until all fixtures are connected.

**Caution:** At the last fixture, the DMX-cable has to be terminated with a terminator. Solder a 120 Ohm resistor between Signal (-) and Signal (+) into a 3-pin XLR-plug and plug it in the DMX-output of the last fixture.

### Building a master/slave-chain:

Connect the DMX-output of the master fixture in the data-chain with the DMX-input of the first slave. Always connect output with the input of the next slave until all slaves are connected.

**Caution:** It's necessary to insert the XLR termination plug (with 120 Ohm) into the input of the master fixture and into the output of the last slave fixture in the link in order to ensure proper transmission on the data link.

## 5. Euphoria - DMX protocol,version 1.0

Channel	Value	Function	Type of control
1		<b>Gobo wheel</b> <i>Gobo selection</i>	
	0-7	Gobo 1	step
	8-13	Gobo 2	step
	14-21	Gobo 3	step
	22-27	Gobo 4	step
	28-35	Gobo 5	step
	36-41	Gobo 6	step
	42-47	Gobo 7	step
	48-55	Gobo 8	step
	56-63	Gobo 9	step
		<i>Gobo shake, from slow to fast</i>	
	64-69	Gobo 1	proportional
	70-75	Gobo 2	proportional
	76-81	Gobo 3	proportional
	82-87	Gobo 4	proportional
	88-93	Gobo 5	proportional
	94-99	Gobo 6	proportional
	100-105	Gobo 7	proportional
	106-111	Gobo 8	proportional
	112-119	Gobo 9	proportional
		<i>Pulse movement between two gobos ,from slow to fast</i>	
	120-123	Gobo 1 --> Gobo 2	proportional
	124-127	Gobo 2 --> Gobo 3	proportional
	128-131	Gobo 3 --> Gobo 4	proportional
	132-135	Gobo 4 --> Gobo 5	proportional
	136-139	Gobo 5 --> Gobo 6	proportional
	140-143	Gobo 6 --> Gobo 7	proportional
144-147	Gobo 7 --> Gobo 8	proportional	
148-151	Gobo 8 --> Gobo 9	proportional	
152-197	Gobo wheel rotation from fast to slow (forward)	proportional	
198-199	No rotation	step	
200-243	Gobo wheel rotation from slow to fast (backward )	proportional	
244-249	Random gobo selection by audio control	step	
250-255	Auto random gobo selection from fast to slow	proportional	
2		<b>Triangular prism rotation</b>	
	0	No rotation	step
	1-63	Forward rotation from slow to fast	proportional
	64	No rotation	step
	65-127	Backward rotation from fast to slow	proportional
	128	No rotation	step
	129-191	Rotating pulse effects from slow to fast	proportional
	192	No rotation	step
	193-243	Random rotating pulse effects from fast to slow	proportional
244-249	Random prism rotation by audio control	step	
250-255	Auto random prism rotation from fast to slow	proportional	
3		<b>Dimmer,program trigger</b>	
	0-5	Closed	step
	6-85	Dimmer from closed to open	proportional
	86-127	Dimmer full open	step
	128-139	Reset	step
	140-191	Program time trigger (program runs by time control)	step
	192-223	Program audio trigger (program runs by audio control)	step
224-255	Random Audio trigger (random effects by audio control)	step	

## 6. Controller mode

The fixtures are individually addressed on a data link and connected to the controller. The fixtures respond to the DMX signal from the controller.

### 6.1 DMX addressing

The control panel on the front panel of the fixture allows you to assign the DMX fixture address, which is defined as the first channel from which the Euphoria will respond to the controller.

If you set, for example, the address to channel 4, the Euphoria will use the channel 4 to 6 for control.

Please, be sure that you don't have any overlapping channels in order to control each Euphoria correctly and independently from any other fixture on the DMX data link.

If two, three or more Euphoria are addressed similarly, they will work similarly.

For address setting, please refer to the instructions under "Fixture address"(menu "001").

**Note:**After switching on, the Euphoria will automatically detect whether DMX 512 data is received or not. If there is no data received at the DMX-input, the display will start to flash "001" with actually set address.

This situation can occur if:

- the 3 PIN XLR plug (cable with DMX signal from controller) is not connected with the input of the Euphoria
- the controller is switched off or defective, the cable or connector is defective or the signal wires are swap in the input connector.

**Note:**It's necessary to insert the XLR termination plug (with 120 Ohm) to the last fixture in the link in order to ensure proper transmission on the DMX data link.

## 7. Euphoria - Control menu map

Default settings=**Bold print**

**001** (001-510)

**MI.S.** (01..**10**..20)

**LMP** (OFF, On)

**LA.P.**

LA.A. (**OFF**, On)  
d.OF. (**OFF**, On)

**tSt**

**St.A.**

run  
St.M.  
    **OFF**  
    MSt  
    SLA  
Aut (**OFF**, On)  
C.S.A  
    **tiM.**  
    Au.P.  
    Au.r.  
Pr.E.  
    E.01  
    :  
    E.30  
        r.tG (0-255)  
        Gob. (0-255)  
        diM. (0-127)  
        tiM. (0.0-25.5s)  
        COP.  
        End

**SPE.**

VEr.  
UPd.  
    **No**  
    **YES**  
Adj.  
    Gob. (0-255)  
    r.tG. (0-255)  
    diM. (0-127)  
    CAL.  
        Gob. (0-255)  
        A.rE.

**rES.**

## 8. Functions of the control panel

The control panel situated on the top cover of the fixture offers several features. You can simply set the DMX address or master (slave) mode, switch On and Off the lamp, run a test, make a reset and also use other functions for setting fixture behaviour.

### Control elements on the control board:

↵ [ENTER] button- enters menu, confirms adjusted values and leaves menu.

▲, ▼ [UP] button and [DOWN] button- moves between menu items on the the same level, sets values.

In order to leave the menu without saving value, press [UP] and [DOWN ] at the same time.

After switching the fixture on, the display shows the initial DMX address:

A three-digit LED display showing the number '001'.

Use [UP],[DOWN] to browse through the menu. To select a function or submenu, press [ENTER].

### 8.1 Fixture Address

A three-digit LED display showing the number '001'.

Use this menu to set the DMX address of the fixture which is defined as the first channel from which the fixture will respond to the controller.

#### For address setting follow this procedure:

1. Switch On the fixture and wait until the fixture reset has finished ("rES" is flashing at the display).
2. Browse through the menu by pressing the [UP] and [DOWN] keys until the display shows current address "001". Confirm by pressing [ENTER] key and "001" will start to flash frequently.
3. Use the [UP] and [Down] keys to select the desired address.
4. Confirm by pressing [ENTER].

After having addressed fixture, you may now start operating fixture via your lighting controller.

### 8.2 Microphone sensitivity

A three-digit LED display showing the number '11.5'.

Select this function to adjust the microphone sensitivity from 1 (maximum) to 20 (minimum).

### 8.3 Lamp On/Off

A four-digit LED display showing the text 'LAMP'.

Select this item to switch the lamp on/off.

Note: if DMX signal is present on the data link, the lamp will be switched automatically on.

### 8.4 Lamp presetting

A four-digit LED display showing the text 'LAMP'.

Select this menu to change the lamp "behaviour".

**LA.A. --- Strike lamp automatically.** Select this function to turn the lamp on automatically after switching the fixture on.

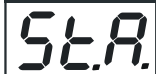
**d.OF. --- Lamp OFF if DMX is missing.** This function allows you to switch Off the lamp automatically if DMX signal is missing on the data link.

## 8.5 Demo-test sequences



Use the item to run a special demo-test sequences without an external controller, which will show you some possibilities of using the fixture.

## 8.6 Stand-alone setting



Select this menu to set fixture behaviour in stand-alone mode.

**run** --- **Running program.** Select this menu to run a program in a loop or to generate random effects.

**St.M.** --- **Stand-alone mode.** This function allows you to set the fixture as master or as slave:

**OFF.** --- The option disables Master/slave operation.

**Mst** --- **Master.** This function sets the fixture as a master.

**SLA** --- **Slave.** This function sets the fixture as a slave.

**Aut.** --- **Automatically playback.** This function allows you to play the program automatically after switching the fixture on. The program will be played continuously in a loop.

**C.S.A.** --- **Control of the stand-alone operation.**

**tIM.** --- **Time trigger.** Select this item to run program by time control.

**Au.P.** --- **Audio trigger program.** Select this item to run program by audio control

**Au.r.** --- **Audio/auto trigger random effects.** Select this item to run random generated effects by the audio control. If there are no audio impulses present, the fixture will generate random effects.

**Pr.E.** --- **Editing program.** Select this menu to edit the program. The fixture has one editable program. Each step has a step time—the time, during which effects last in the current step.

Programming procedure:

1. Press [UP] or [DOWN] to select the desired program step ("E.01" - "E.30") and press [ENTER].
2. Press [UP] or [DOWN] to select the desired item and press [ENTER]-button. Now you can edit by [UP] or [DOWN] buttons the DMX value (0-255) for selected item:

**Gob.** - a gobo wheel, value 0-255

**r.tG.** - a rotation of triangular prism, value 0-255

**diM.** - a dimmer, value 0-127

**COP.** - copying the current prog. step to the next prog. step.

**tIM.** - step time, value 0.0-25.5 seconds

**End.** - this item stops the program.

Press [ENTER]-button to confirm adjusted value.

3. Select next prog. step and repeat this procedure (steps 1-3).

The number of steps in your program will be determined by the position in which you confirm the "End" for the end of the program. If you want to extend the program, select "COP." in the last step to copy current step to the next step.

## 8.7 Reset fixture



Select this item if you wish to make a fixture reset.

## 8.8 Special functions



Use this menu for special services like updating software or effect calibration.

**VER.** --- **Software version.** Select this function to read the software version of the fixture processor.

**UPd.** --- **Software update** - Using this function you can update software in the fixture via PC and serial link.

The following are required in order to update software:

- PC running Windows 95/98/2000/XP or Linux
- DMX Software Uploader
- Flash cable RS232/DMX (No.13050624)

**Note1:**Software update should execute a qualified person.If you lack qualification, do not attempt the update yourself and ask for help your ROBE distributor.

**Note 2:**DMX address,program and all settings will be set to their default values

### To update software in the fixture:

#### 1.Installation of DMX Software Uploader:

- 1.DMX Software Uploader program is available from the ROBE web site at WWW.robe.cz.
- 2.Make a new directory ( e.g. Robe\_Uploader) on your hard disk and download the software to it.
- 3.Unpack the program from the archive.Program file has name:DSU\_name of corresponding fixture\_SoftwareID.If the Robe fixture is produced in magnetic and electronic ballast version, the name of DMX Software Uploader is the same for both versions.  
SoftwareID describes the versions of fixture software included in DMX Software Uploader. Higher number means later software versions.

#### 2.Fixture software updating:

- 1.Determine which of your COM port is available on your PC and connect it with to the DMX input of the fixture using the Flash cable. Do not extend this cable! Disconnect the fixture from the other fixtures in DMX chain! Turn on the computer and the fixture. Make sure that the lamp is switched off.
- 2.Switch the fixture to the update mode by selecting the option Software update in menu Special Functions on the fixture control panel:SPE-->UPd-->yES.(From this option you cannot return back to the main menu. If you do not want to continue in software update, you have to switch off and on the fixture to leave this option!)

3.It is recommended that you exit all programs before running the Software Uploader.

4.Start the Software Uploader program. Select desired COM and then click Connect button.

If the connection is OK, click Start Uploading button to start uploading. It will take several minutes to perform software update.All processors will be updated (including processors with the same software version).

If you wish to update only later versions of processors, enable the Incremental Update check box. Avoid interrupting the process. Update status is being displayed in the list window.

When the update is finished, the line with the text "The fixture is successfully updated" will appear in this window and the fixture will reset with the new software.

Note: In the case of interruption of the upload process (e.g. power cut), the fixture remains in the update mode and you have to repeat the software update again.

For example: The fixture was switched off before finishing software upload. After switching the fixture on again, the fixture is still in the update mode and the display is dark. Restart the Software Uploader program and repeat software update from your PC.

**Adj. --- Effect adjusting.**By this function you can adjust the effects to the desired positions.Disconnect the DMX controller from the fixture and select "**Adj.**" menu.The display shows step by step effects by which you can adjust the fixture to the required position

**CAL. --- Effects calibration.**By this function you can calibrate and adjust the gobo wheel to its standard/right position:

#### 1. Calibration via the control board

Disconnect DMX controller from the fixture.Press [ENTER] to display the following item: "**Gob.**" for very smooth gobo wheel calibration. Press [ENTER] and use the [UP] and [DOWN] in order to adjust its right value. After having calibrated the gobo wheel,press [ENTER] to confirm and than use the "**A.rE.**" function in order to write the calibration value to the memory (EEPROM) and to make a reset.

#### 2. Calibration via the external controller

Connect the DMX controller to the fixture, press [ENTER] to display the following item: "**Gob**".Press [ENTER] and now you can calibrate this effect by your controller. The DMX calibration protocol is described below:

Effect	Channel
"Gob."- a gobo wheel	7

After having calibrated the gobo wheel,press [ENTER] to confirm and than use the "**A.rE.**" function in order to write the calibration value to the memory (EEPROM) and to make a reset.

## 9. Stand - alone mode

The fixtures on a data link are not connected to the controller but can execute pre-set program which can be different for every fixture. "Stand-alone operation" can be applied to the single fixture (the fixture may be set to the master or slave mode ) or to multiple fixtures operating synchronously. Effect actions are triggered by sound, using built-in microphone, or automatically using an internal timer.

Synchronous operation of multiple fixtures requires that they must be connected on a data link and one of them is set as a master ("MSt") and the rest as the slaves ("SLA"). Up to 32 fixtures can be connected in master/slave chain. Only one fixture can be set as the master. The slaves mimic the behavior of the master.

**Important!:** Disconnect the fixtures from the DMX controller before master/slave operating , otherwise data collisions can occur and the fixtures will not work properly!

### Time control

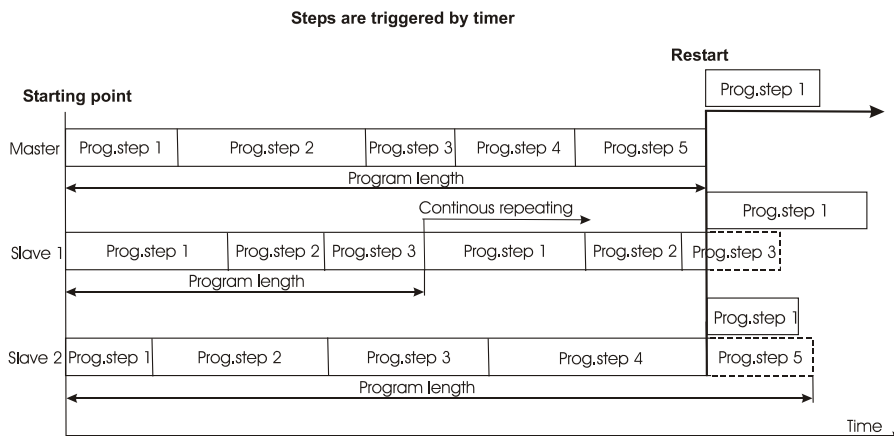
The master fixture starts simultaneous program start in the other slave fixtures. All fixtures have a definite, synchronized starting point when playing back their programs. Every fixture runs its program repeatedly , starting the program step No.1 when requested by the master .

For example:

If the slave fixture has a shorter program length, it will continuously repeat its program until the master fixture finishes its own program and restarts its program running (slave 1- prog.step 3 will not be finished).

If the slave fixture has a longer program length, it will restart at prog. step 1 before it completes all its prog.steps (slave 2 - prog.step 5 will not be played)- see the picture bellow.

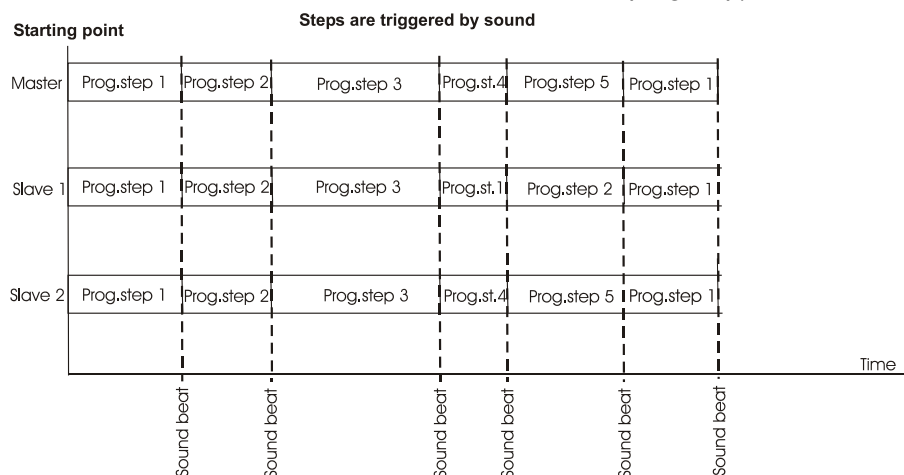
**Diagram 1**



### Audio control

The sound beat starts program steps simultaneous in the master fixture and in the slave fixtures. Every fixture runs its program repeatedly , starting the program step when requested by the master. (Master is controlled by sound and sends demand on the slaves to move them to the next prog.step).

**Diagram 2**



### Operating multiple fixtures in stand-alone mode.

1. Select one fixture and set it as a master (Menu path: "St.A."--->"St.M."--->**MSt**).
2. The rest of the fixtures set as slaves (Menu path: "St.A."--->"St.M."--->**SLA**).
3. Build the master/slave chain. (See chapter DMX-512 connection and Master/Slave connection).
4. Activate automaticly program running after switching the fixtures on.(Menu path: "St.A."--->"Aut."--->**On**).



5. Set the program running options (Menu path: "St.A."---->"C.S.A.") on the master and slaves:

For time control of the fixtures select item "**tiM**" on the master and all slaves.

For audio control of the fixtures select item "**Au.P.**" on the master and all slaves.

For audio random selection of effects, select item "**Au.r**" on the master and all slaves.

6. Set the lamp automatically On after switching the fixtures on (Menu path: "LA.P."---->"LA.A."---->**On**) and check that function **d.OF** is disabled (Menu path: "LA.P."---->"d.OF"---->**OFF**)

**Note: Master-slave operation is only possible among fixtures: Euphoria, ClubScan 150, ClubScan 250, Funky, Fusion and Hip-Hop.**

## 10. Error and information messages

### **M.Er.**(Master error)

The message informs you that the fixture was addressed as a master and DMX signal is connected to its input. Disconnect the DMX controller from fixture's input and reset the fixture.

### **F.Er.**

This message will appear if the frequency of the main is not standard 50 or 60 Hz. This message can appear as a result of the interference during the lamp starting (if the lamp or igniter is old) or as a result of the interference by neighbouring devices. **In these cases the message does not affect the fixture operating!**

## 11. Technical specifications

### **Power supply:**

- Voltage.....100,120,208,230,240V AC, 50/60Hz ~
- Fuse.....T 1,6 A@ 230V
- Fuse.....T 3,15 A@ 120V
- Power consumption...250 VA

### **Lamp:**

- ELC / 24V/250W
- Socket: GX5.3

### **Optical System:**

- Manual focus
- Rotating triangular prism
- Static triangular prism

### **Gobo wheel:**

- 9 static gobos
- gobo shake

### **Strobe:**

- Strobe effect with variable speed (max.4 flashes per second)

### **Motor:**

- 2 high quality stepping-motors controlled by microprocessors

### **Electronics:**

- Intelligent control panel with 3-digit LED display
- Digital serial input DMX-512
- 3 control channels:
  - Channel 1: Gobo wheel
  - Channel 2: Triangular prism rotation
  - Channel 3: Dimmer
- Time and audio trigger
- One editable program

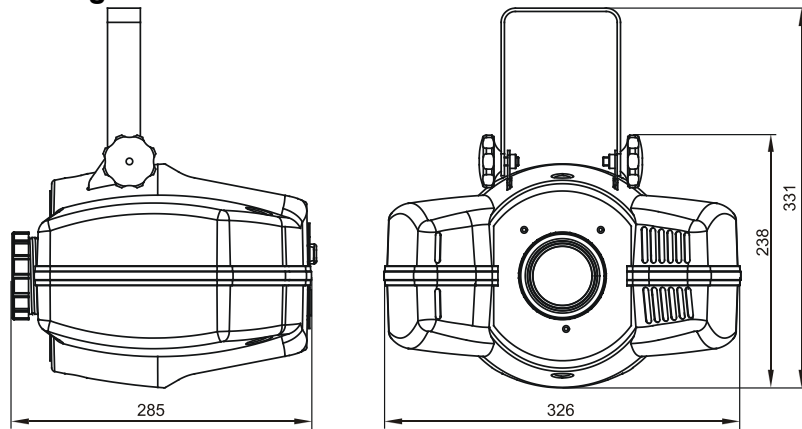
### Temperatures:

- Maximum ambient temperature : 40° C
- Maximum housing temperature : 65° C

### Minimum distances:

- Min.distance from flammable surfaces: 0,4m
- Min.distance to lighted object: 0,6m

### Dimensions and weight:



- Weight: 7.5 kg

## 12. Maintenance and cleaning

***DANGER TO LIFE!***  
***Disconnect from mains before starting maintenance operation!***

It is absolutely essential that the fixture is kept clean and that dust, dirt and smoke-fluid residues must not build up on or within the fixture. Otherwise, the fixture's light-output will be significantly reduced. Regular cleaning will not only ensure the maximum light-output, but will also allow the fixture to function reliably throughout its life.

For cleaning plastic covers use a moist, lint-free cloth. Never use alcohol or solvents!

The front objective lens will require weekly cleaning as smoke-fluid tends to building up residues, reducing the light output very quickly.

To maintain adequate cooling,dust must be cleaned from the fan and air vents periodically.Remove dust from the fan and air vents with a soft brush,vacuum-cleaner or compressed air.The gobo wheel may be cleaned with a soft brush.

The cleaning period depends on the ambient operating conditions, but first inspection of the fixture interior should be made after one month of its operating and according to these inspection results select suitable cleaning period.

There are no serviceable parts inside the device except for the lamp. Please refer to the instructions under „Fitting/Exchanging the lamp“.

More complicated service operations should be carried out by authorized distributors.

### Replacing the fuse

**Before replacing the fuse, unplug mains lead.**

Procedure:

**Step 1:** Unscrew the fuse holder on the rear panel with a fitting screwdriver from the housing (anti-clockwise).

**Step 2:** Remove the old fuse from the fuseholder.

**Step 3:** Install the new fuse in the fuseholder.

**Step 4:** Replace the fuseholder in the housing and fix it.

Should you need any spare parts, please use genuine parts.

If the power supply cable of this device becomes damaged, it has to be replaced by authorized dealers only in order to avoid hazards.

***Specifications are subject to change without notice.***

